

Specification sheet LX 847

Roof drainage systems DRAINJET[®] Series 49 (DJ)

Emergency drainage

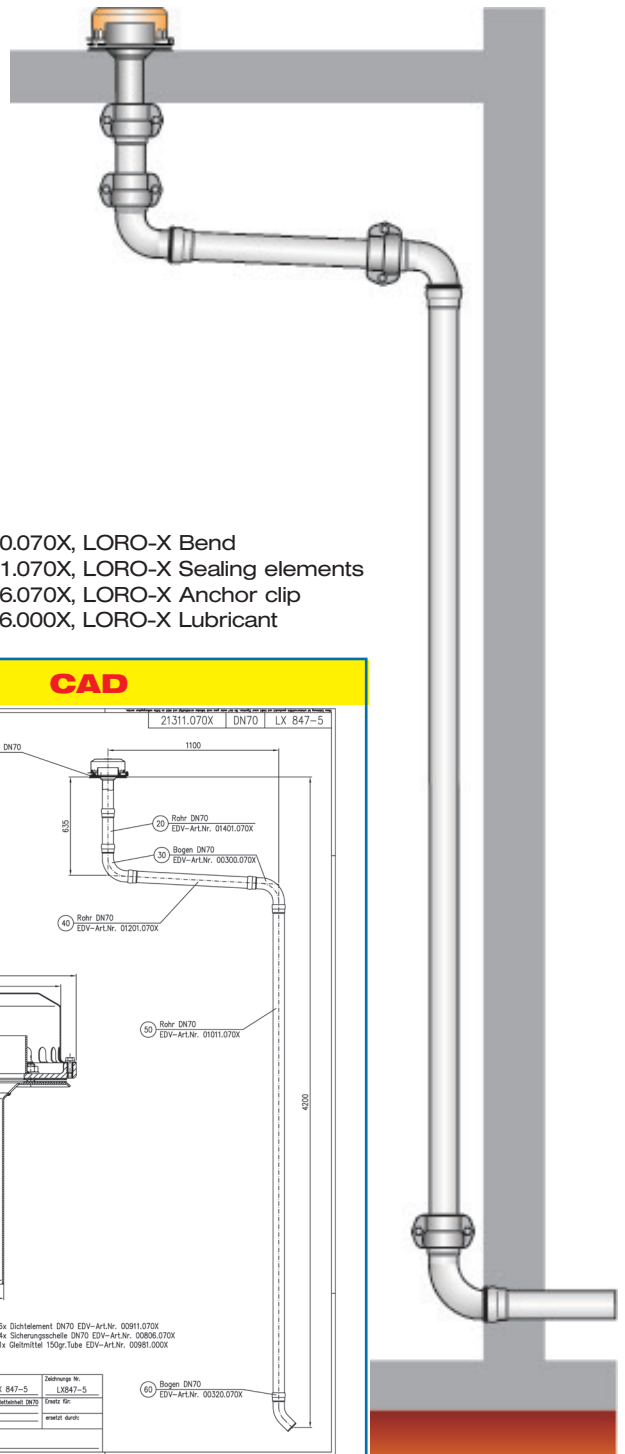
Siphonic flow

Silent Power

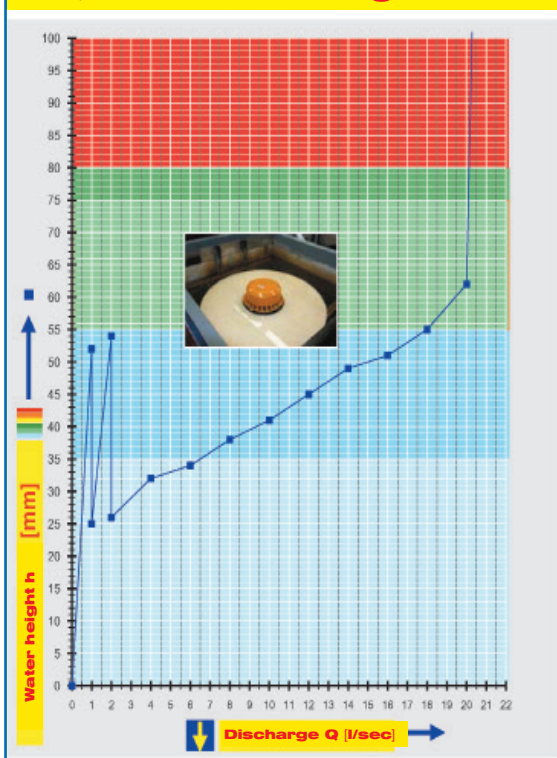
Discharge:	19,4 l/sec
Water height:	60 mm
Roof penetration:	-
Diameter:	DN 70
LX-Number:	LX 847
Weir height:	55 mm
Drain:	not ventilated
Downpipe:	not ventilated
Downpipe height:	4,2 m
Drainage:	on floor

LX 847 Piece list

- 1 x Art.-No. choose drain on page two!
 1 x Art.-No. 01401.070X, LORO-X Pipe with one socket
 2 x Art.-No. 00350.070X, LORO-X Bend
 1 x Art.-No. 01201.070X, LORO-X Pipe with one socket
 1 x Art.-No. 01011.070X, LORO-X Pipe with one socket
 1 x Art.-No. 00320.070X, LORO-X Bend
 6 x Art.-No. 00911.070X, LORO-X Sealing elements
 4 x Art.-No. 00806.070X, LORO-X Anchor clip
 1 x Art.-No. 00986.000X, LORO-X Lubricant

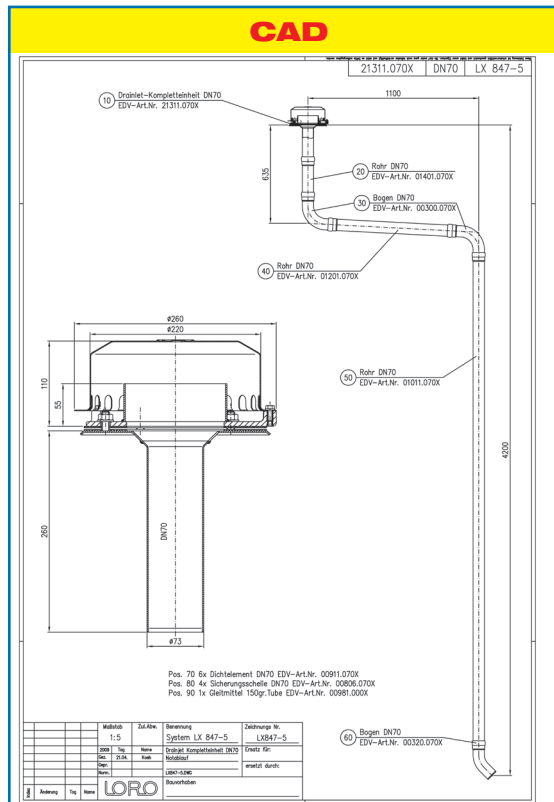


hQ - Head Discharge curve



Systempower

CAD



Systemshape

Water height	mm	5	10	15	20	25	30	35	40	45	50	55	60	65	70	75
Discharge	l/sec												19,4	19,4	19,4	19,4
													Silent Power			

Choose drain for piece list on page one!

DN 70

without thermal insulation

LX847-5X

**with clamping flange
one-piece**
for bituminous and plastic
roofing sheets



Drain
Art.-No. 21311.070X



Fire protection drain
Art.-No. 22301.070X

LX847-6X

**with clamping flange
two-piece**
for bituminous and plastic
roofing sheets



Drain
Art.-No. 21321.070X



Fire protection drain
Art.-No. 22321.070X



with thermal insulation

LX847-7X

**with clamping flange
one-piece**
for bituminous and plastic
roofing sheets



Drain
Art.-No. 21312.070X



Fire protection drain
Art.-No. 22302.070X

LX847-8X

**with clamping flange
two-piece**
for bituminous and plastic
roofing sheets



Drain
Art.-No. 21322.070X



Fire protection drain
Art.-No. 22322.070X



with thermal insulation and heating

LX847-9X

**with clamping flange
one-piece**
for bituminous and plastic
roofing sheets



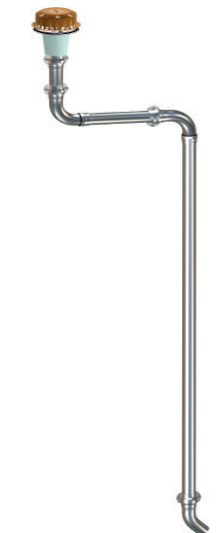
Drain
Art.-No. 21313.070X

LX847-10X

**with clamping flange
two-piece**
for bituminous and plastic
roofing sheets



Drain
Art.-No. 21323.070X



Fire protection drains: The discharge capacity of the DRAINJET fire protection drains is identical to the one of the standard DRAINJET drains.

Heat tracing: Lorowerk recommends to check all drains and pipes with regard to their frost-sensibility. Where necessary, these parts should be upgraded with heat tracing.